



**ADVANCED TECHNOLOGY
FOR PEAK PERFORMANCE**

EVO ULTRA

COMMERCIAL WATER HEATING



**DON'T REJECT HEAT THROUGH YOUR COOLING TOWER...
CAPTURE IT TO PRODUCE HOT WATER!**

EVO ULTRA

COMMERCIAL HOT WATER

80°C HOT WATER

BULK HOT WATER



BULK HOT WATER	
Air operation range	-7°C to 45°C
Applications	High rise buildings
Installation location	Various locations - basement, ground floor, roof etc.

ONE SMART SOLUTION FOR HOT WATER

- Bulk hot water up to 80°C
- Provides fast and stable bulk hot water in climates from -7°C to 45°C
- Extremely energy efficient
- Connect to your cooling tower to benefit from **FREE HOT WATER**
- Market leading protection features
- Reduces energy use and green house gases

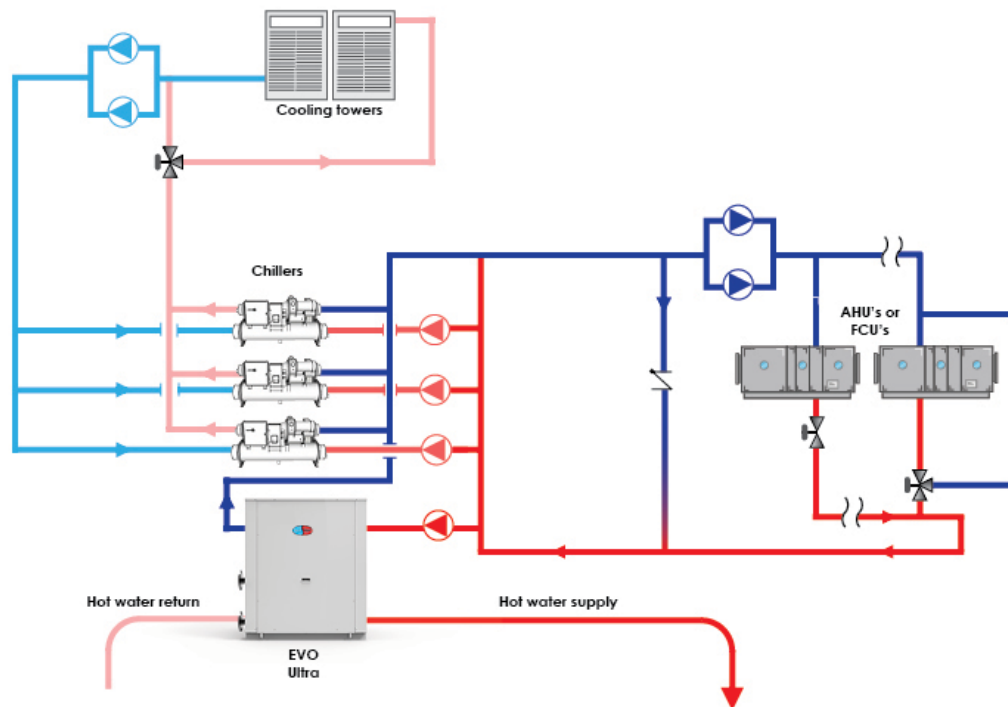
The EVO Ultra water to water heat pump is the perfect solution in applications where chillers and cooling towers are being used for temperature control.

FREE HOT WATER

When installed in line with the chiller, the EVO Ultra can capture rejected waste heat from the chiller return lines and utilise this heat to provide free hot water. In doing so, it will also increase efficiency of the chiller by returning the inlet water at a reduced temperature. It's the smart, energy efficient solution that is guaranteed to maximise your energy!

ADVANCED WATER HEATING TECHNOLOGIES...





FLEXIBLE INSTALL LOCATIONS

The EVO Ultra can be installed in various installation locations, such as inside a basement, on the ground floor and even on the roof. This makes for a fast, flexible and low cost installation.

PROTECTION FEATURES

The EVO Ultra has several market leading protection features that you won't find on a conventional water heater...



- Sanitech water disinfection - keeps your water free of nasties like Legionella
- Water Flow Switch Protection
- Antifreeze protection
- High/low pressure protection
- High discharge temperature protection
- Compressor overload protection

HOT WATER HEAT PUMP SPECIFICATIONS		EVO Ultra 64	EVO Ultra 129	EVO Ultra 240
Testing Condition Water Source Inlet/Outlet: 20°C /15°C	Heating capacity kW	68.8	137.6	240
	Cooling capacity kW	52.1	104.1	185
Heating Side Inlet/Outlet: 65°C /75°C	Power input kW	16	58	
	IEER W/W	5.2	5.2	5.2
Power Supply	V/Ph/Hz	380~415/3/50		
Compressor Type	/	Copeland ZW Series R134a EVI Scroll	Copeland ZW Series R134a EVI Scroll	Copeland ZW Series R134a EVI Scroll
Compressor Quantity	/	2	4	4
Evaporator water flow	m ³ /h	9	18	32
Condenser water flow	m ³ /h	12	24	41
Noise	dB(A)	68	69	71
Refrigerant Type	/	R134a	R134a	R134a
Suggested water temp range	°c	55 ~ 75°c	55 ~ 75°c	55 ~ 75°c
Max. outlet water temp	°c	80°c	80°c	80°c
Casing	/	304 stainless steel		
Net Weight	kg	841	925	
Net Dimensions	L/W/H mm	1172/900/1365	1600/1130/1500	

The data above is for your reference only. For more specific data please contact your EVOHeat heat pump specialist.





COMPANY PROFILE

At EvoHeat we strive for development and change, a constant progression in our products and systems.

Everything starts with the right advice. Our focus is on you, and your exclusive heating needs.

Our overriding principle has always been to excel in introducing the latest technology,
What is exclusive to EvoHeat is exclusive to you!

Products made to the highest standard – materials like titanium, environmentally responsible refrigerants and an overall standard that has gained ISO9001 and other International Standard certifications.

PEACE OF MIND IS A STANDARD FEATURE

EvoHeat is 100% Australian owned and is a leading specialist supplier of heat pumps for domestic and commercial hot water applications.

EvoHeat technology leads the world in energy savings and environmental responsibility. We care for our environment! EvoHeat is registered under the Australian Government's Ozone Protection and Synthetic Greenhouse Gas Act.

EvoHeat has the product range and the capability to supply even the largest water heating and cooling requirements. Applications as diverse as domestic and commercial hot water, industrial water heating and cooling, aquaculture and agriculture are met with a complete range of products that exceed client expectations every time.

Evo Industries Australia

Head Office
18 Hasp St, Seventeen Mile Rocks
QLD 4073
Ph: 1300 859 933

Evo Industries Singapore

11 Beach Road
#03-01 Crasco Building
Singapore 189675
Ph: +65 3157 9184



1300 859 933
info@evoheat.com.au
www.evoheat.com.au

